

Ranger and Ranger II AP Shoulder Abduction Braces

Maximum Adjustability for Improved Patient Outcome

Ranger AP Series of Shoulder Abduction Braces provide proper shoulder positioning from 10° to 90°. This secure immobilization restricts motion to allow the injured area to heal and contribute to positive patient outcomes.



TexSmart™

Featuring one of our technology-based materials, CoolMesh™ Ag, the Ranger™ and Ranger™ II Universal Shoulder series delivers innovative, high performance solutions for a wide range of uses.



CORFLEX®

Designed for life.

Ranger and Ranger II AP give you flexibility to adjust the amount of shoulder abduction from 10° to 90° with rotational control from full internal rotation to 70° of external rotation. Use simply with the waistband and arm support for shoulder abduction from 10° to 45° or attach the AP Platform to adjust the amount of shoulder abduction from 45° to 90°. This customization meets patient's individual needs and post-surgical protocols.



Ranger AP

The adjustable lightweight aluminum frame conforms for a precise patient fit and the hinged airplane platform provides immobilization for long-term wear.

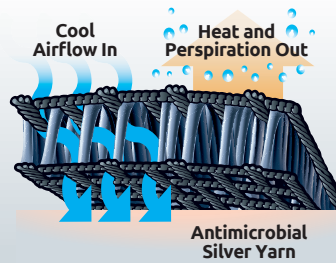
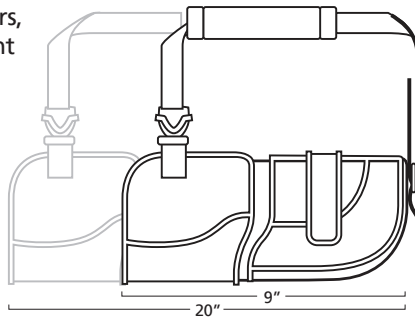


Ranger II AP

- Universal sizing reduces inventory and stocking requirements.
- Indicated for treatment after Bankart and SLAP repairs, rotator cuff repairs, shoulder arthroscopy, separations and dislocations, capsule repairs, humeral fractures and joint reconstruction.

Our universal sling design fits every patient with one size. Easily adjusts from a Small up to an X-Large.

Sling adjusts in length from 9" to 20".



CoolMesh™ Ag
Freshness is in the Silver

Breathable CoolMesh encourages airflow and wicks moisture away from body up to 6 times faster than other fabrics.

CoolMesh Ag's specialty silver yarn permanently inhibits the growth of odor-causing bacteria, mold, mildew and algae on fabric.

The addition of the antimicrobial silver helps boost the fabrics durability and lifespan.

How does CoolMesh Ag Work?

CoolMesh Ag combines moisture-wicking fabric with antimicrobial properties for maximum comfort, protection and durability. Our CoolMesh breathable open mesh fabric wicks moisture away from the body for evaporative cooling and improved body temperature control.

Freshness is in the Silver.

Plus, the addition of antimicrobial silver (Ag) inhibits the growth of microbes, helping products last longer while limiting odor formation. The result is a high-performance product that delivers moisture management and antimicrobial resistance to promote greater patient compliance and outcomes.

Ranger and Ranger II AP Shoulder Products

Product Number	UNIV	Suggested Billing Code
Ranger AP	23-2660	L-3960
Ranger II AP	23-2760	L-3960
Replacement Comfort Harness	23-2367	-
Replacement Padded Shoulder Strap	23-2368	-

Sizing Guide

Fits waist circumference of 24"-48"

Sling fits forearm length from 9"-20" (measured from wrist to elbow)

Suggested Billing Code L-3960

SEWHO Airplane Design Abduction Positioner



All products manufactured by Corflex are Latex Free.

